



SIPABOARDS

QUICK GUIDE FOR SIPABOARD – DRIVE

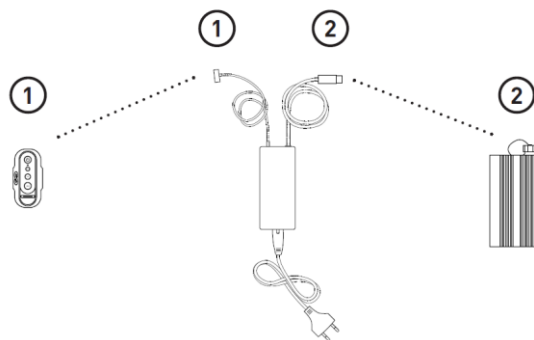
QR CODE FOR QUICK GUIDE
Make your first impression smooth!



sipaboards.com

1. CHARGING THE SIPADRIVE BATTERY & REMOTE CONTROL'S BATTERY

All batteries **MUST** be fully charged before using it - 1) the battery in the remote control ring and 2) the battery for the SipaDrive.

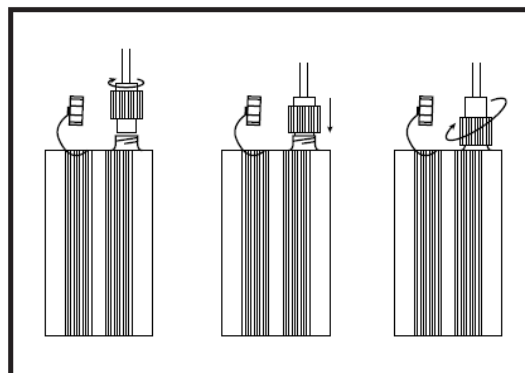


Charging: Charge the remote control's battery and the battery of the Drive with the included charger in a completely dry environment.

The SipaDrive battery - LED shows you the status: red – charging and green - charging completed.
The remote control's battery - Use the included USB charger. The charging cable's other end has a magnetic connector, which you plug into the remote control.

2. CONNECTING THE BATTERY TO THE SIPADRIVE

The connector **MUST** be properly attached to the battery. Turn the connector around until it slides in easily. Lightly press the connector and turn the locking ring clockwise until it clicks. It is extremely important that the battery cover is placed **ONLY** on perfectly clean surfaces!

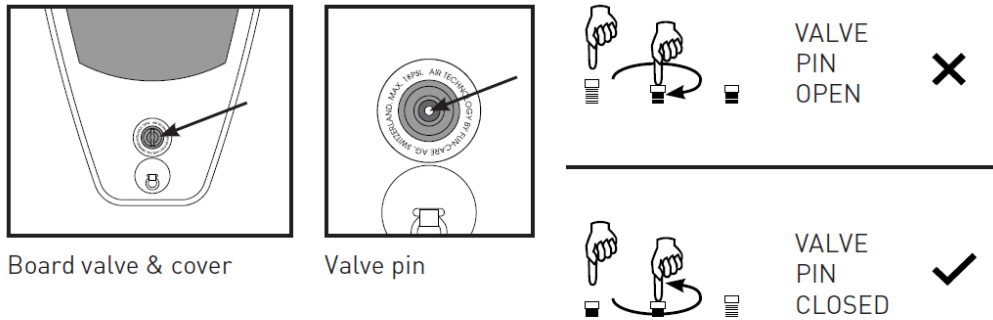




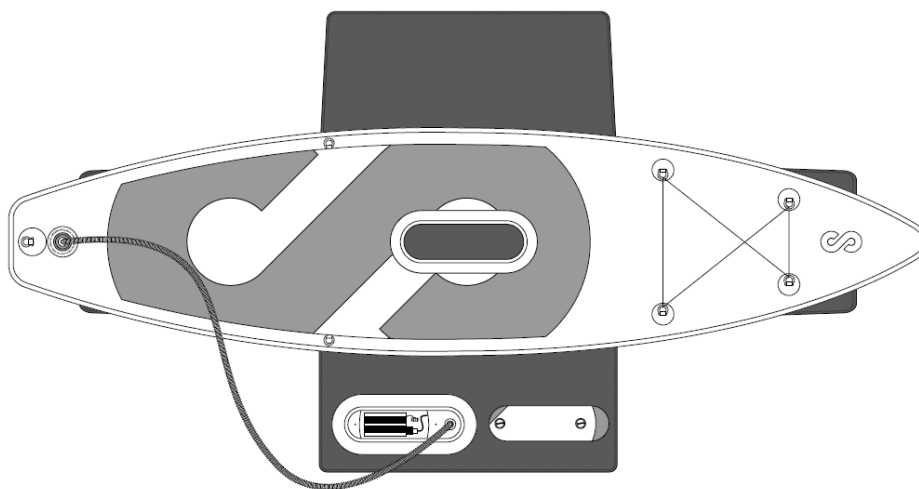
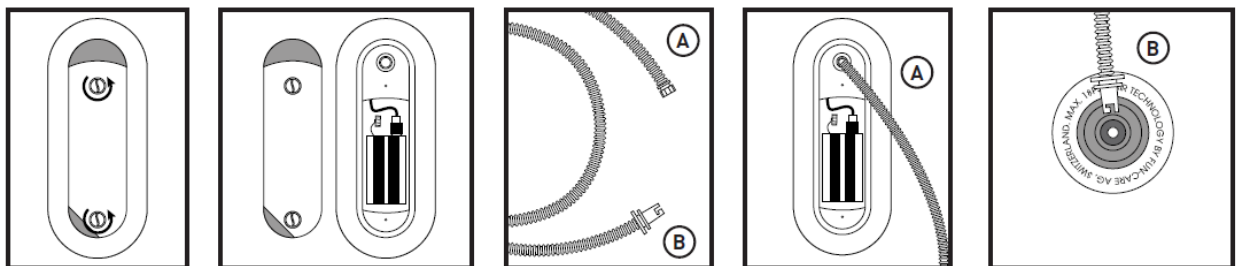
SIPABOARDS

3. INFLATION AND INSERTION OF THE SIPADRIVE

Unfold your SipaBoard on the soft, flat surface and find fin in the small pocket in the bag. Connect the inflation hose to the compressor and the valve at the back of the SUP. The inflation hose **MUST** not be twisted or bent! To open the valve for inflation, make sure that the center valve pin is in the “up” position. If it is in the “down” position, press down on the valve pin and turn it counterclockwise until it pops up. Valve pin **MUST BE** in the “UP” position!



Take your SipaDrive and unscrew both screws to open the cover. Connect battery with the drive and attach inflation hose to drive and board correctly.

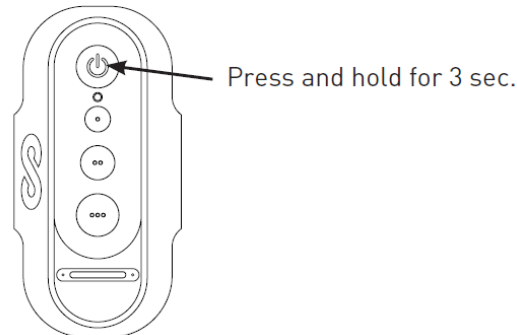


Make sure that arrow is pointed in direction forward on SipaDrive.



SIPABOARDS

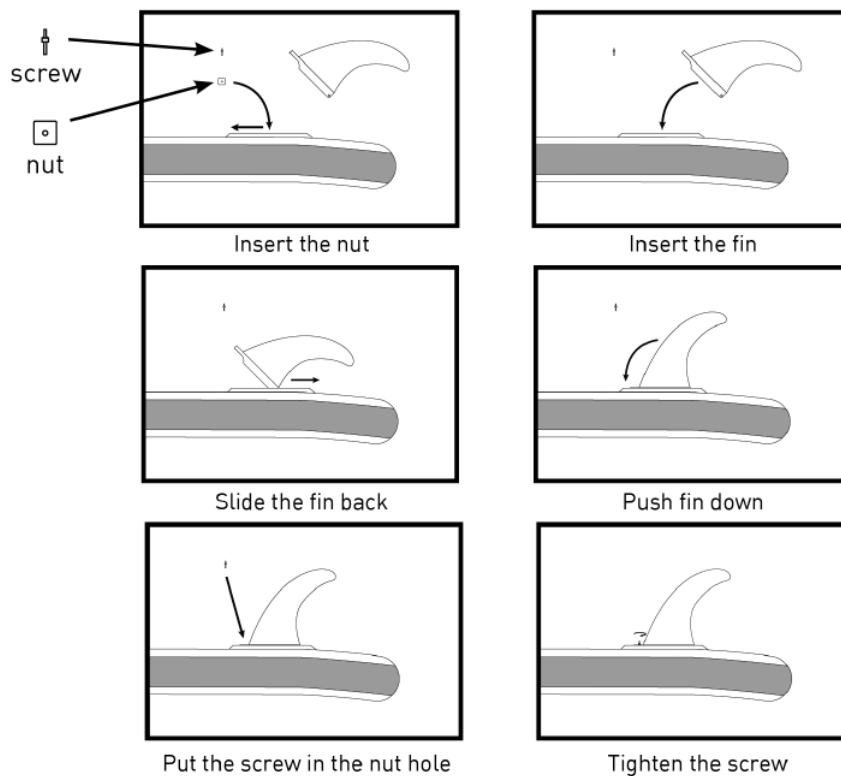
Activate the first inflation phase by holding the on/off button until inflation starts. The first phase lasts about 2 minutes and will automatically shut itself off at the right pressure.



At this point place the SipaDrive into the hole in the SipaBoard (make sure that arrow is pointed in direction forward) and continue with the second phase, which will take about three and a half minutes. Again the compressor will automatically stop at the right pressure. You need to detach the inflation hose firstly from the board - inflation valve and then from the compressor, shut the valve cap, and place the cover on the drive unit, turning the two screws until fingertight.

4. FIN

Check the water's depth and make sure the fin is not obstructed. Make sure the fin is pointing in the right direction!

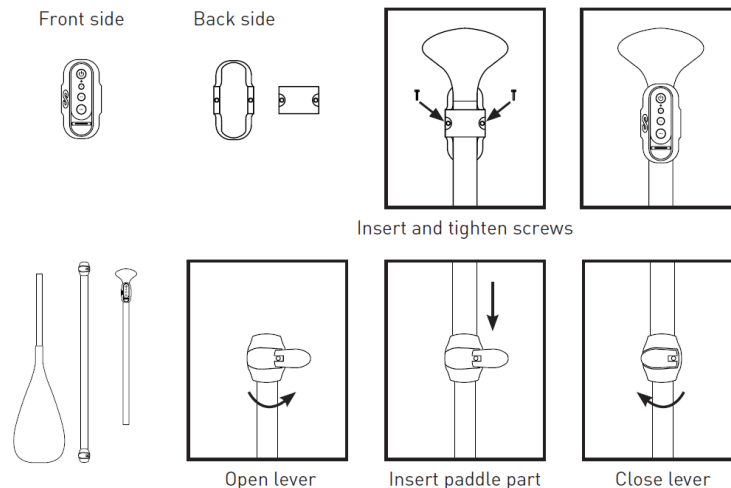




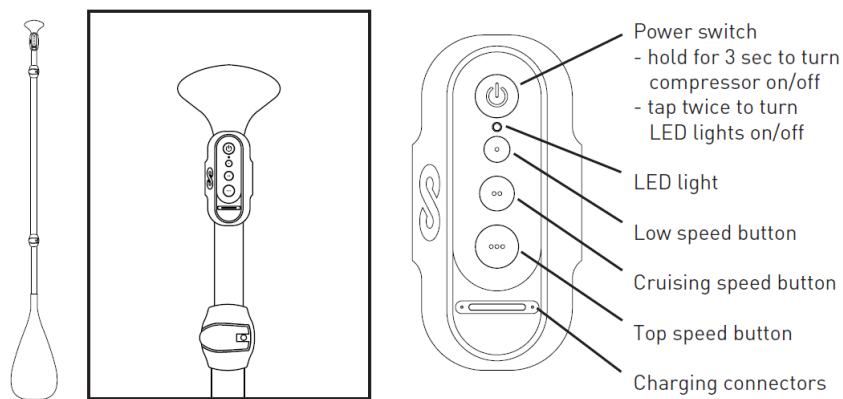
SIPABOARDS

5. PADDLE AND REMOTE CONTROL

The paddle is collapsible and comes in 3 parts. Put the three parts together and fasten the tightening clips. Now assemble the already charged remote control as indicated in the picture. Attach it to the paddle.



The remote control has 4 buttons: one is an on/off switch, and 3 speeds to choose from. Slightly pressing the buttons activates and deactivates the SipaDrive, as well as regulates the speed on the water. Tapping the on/off switch twice turns on the LED lights.



Important: This quick guide is helpful, be make sure to read the enclosed instructions!
Do not inflate the paddle board SipaBoard on hot, overheated floors (asphalt, concrete, pier, etc...)!
DO NOT take the charger with you on the water. Leave the charger safely stored in a dry place, protected from sunlight and away from any source of heat!
The SipaDrive may ONLY be opened when both the SipaDrive and SipaBoard are dry and resting on a soft, flat surface.
Using the SipaDrive without the protective mesh cover on the bottom is strictly prohibited.

You can inflate your paddle board with the app – SipaBoards (go to app store & download it).
For more help check this video - <https://www.youtube.com/watch?v=ADxHh97CuxY&t=32s> and <https://www.youtube.com/watch?v=iLfVBYhYm2M>